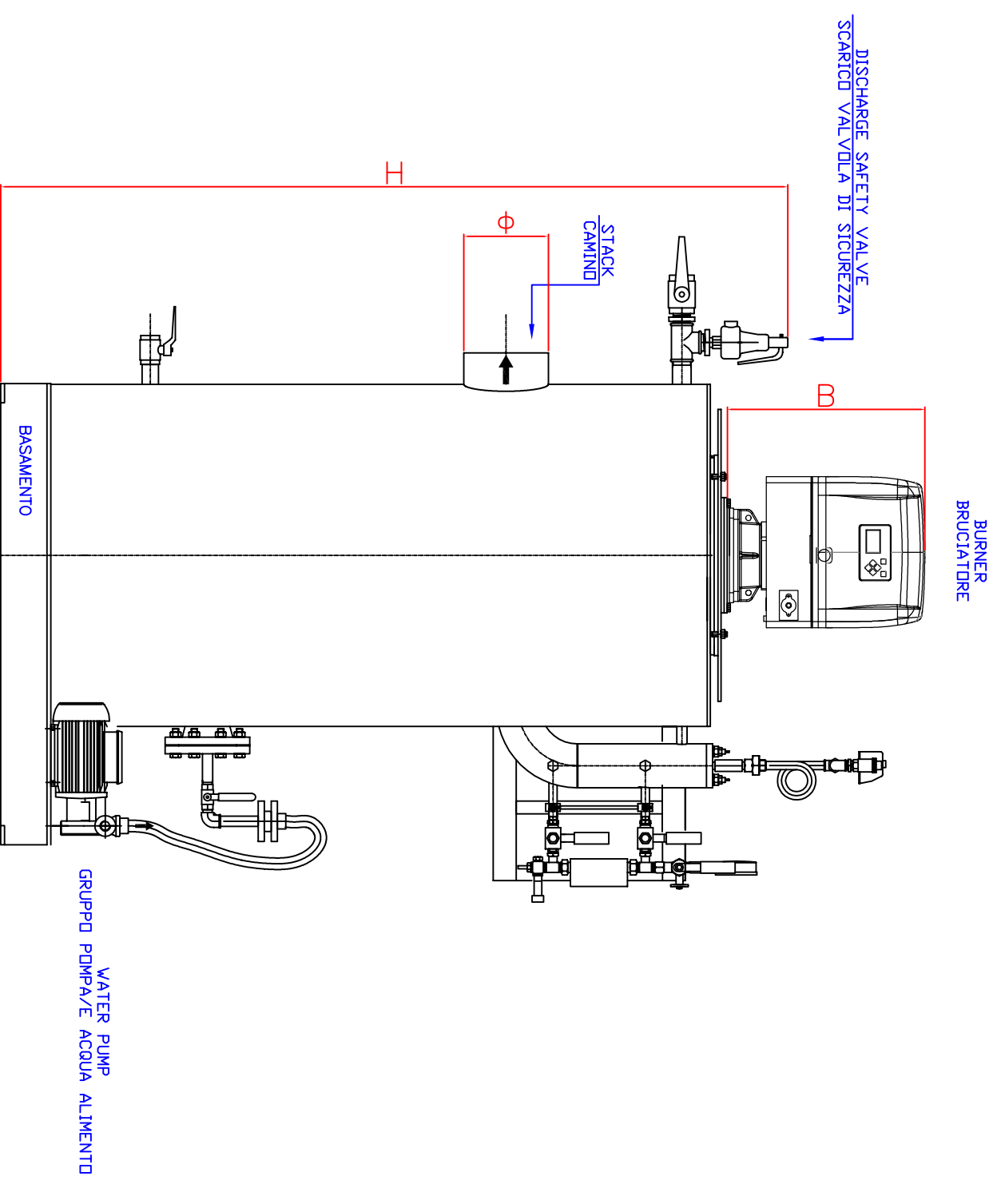


MODELLO VICTORIA	50		80		120		160		220		260		300	
	POTENZIALITÀ CAPACITY	KW	35	55	83	110	152	179	207					
PRODUZIONE VAPORE STEAM PRODUCTION	Kg/h	50	80	120	160	220	260	300						
PRESSIONE DI BOLLO TIBRE PRESSURE	bar	6	6	6	6	6	6	6						
RENDIMENTO EFFICIENCY	%	88	88	88	88	88	88	88						
CONTENUTO TOT ACQUA WATER TOTAL CONTENT	lt	37	37	37	46	46	49	49						
SUPERFICIE DI SCAMBIO SURFACE EXCHANGE	m ²	3	3	3	4	4	4,8	4,8						
LUNGHEZZA L LENGTH	mm	790	790	790	790	790	900	900						
LARGHEZZA A WIDTH	mm	1200	1200	1200	1200	1200	1200	1200						
ALTEZZA H HEIGHT	mm	1500	1500	1500	1850	1850	1980	1980						
LUNGHEZZA BRUCIATORE BURNER LENGTH B	mm	COME INDICATO SUL MANUALE DEL BRUCIATORE INSTALLATO REFER TO THE INSTALLED BURNER'S MANUAL												
DIAMETRO CAMINO Ø STACK DIAMETER	mm	200	200	200	200	200	220	220						
PRESA VAPORE STEAM INTAKE CONNECTION	DN	1 1/4	1 1/4	1 1/4	1 1/4	1 1/4	1 1/2	1 1/2						
PESO WEIGHT	kg	460	460	460	525	525	650	650						



2						
1						
0	EMESSO - Issued					
REV.	DESCRIZIONE/DESCRIPTION	DATA DATE	DISIGN. DRAFT	CONTR. CHECK	APPROV.	

This document is TECNOSTEER's property and it shall neither be reproduced, copied, disclosed to others, nor used for any purpose other than that for which it is specifically furnished without the prior written consent of TECNOSTEER.

TECNOSTEER s.r.l.
 Via RILUXEMBURG, 8
 20264 GORGONZOLA
 MILANO-ITALY

FILE N°	COMMESSA JOB
SCALA /SCALE	FOGLIO/SHEET

TUBELESS STEAM GENERATOR

G.V. A LAMA D'ACQUA VICTORIA

DIS. Ng/ DWG Ng	VICTORIA
-----------------	----------